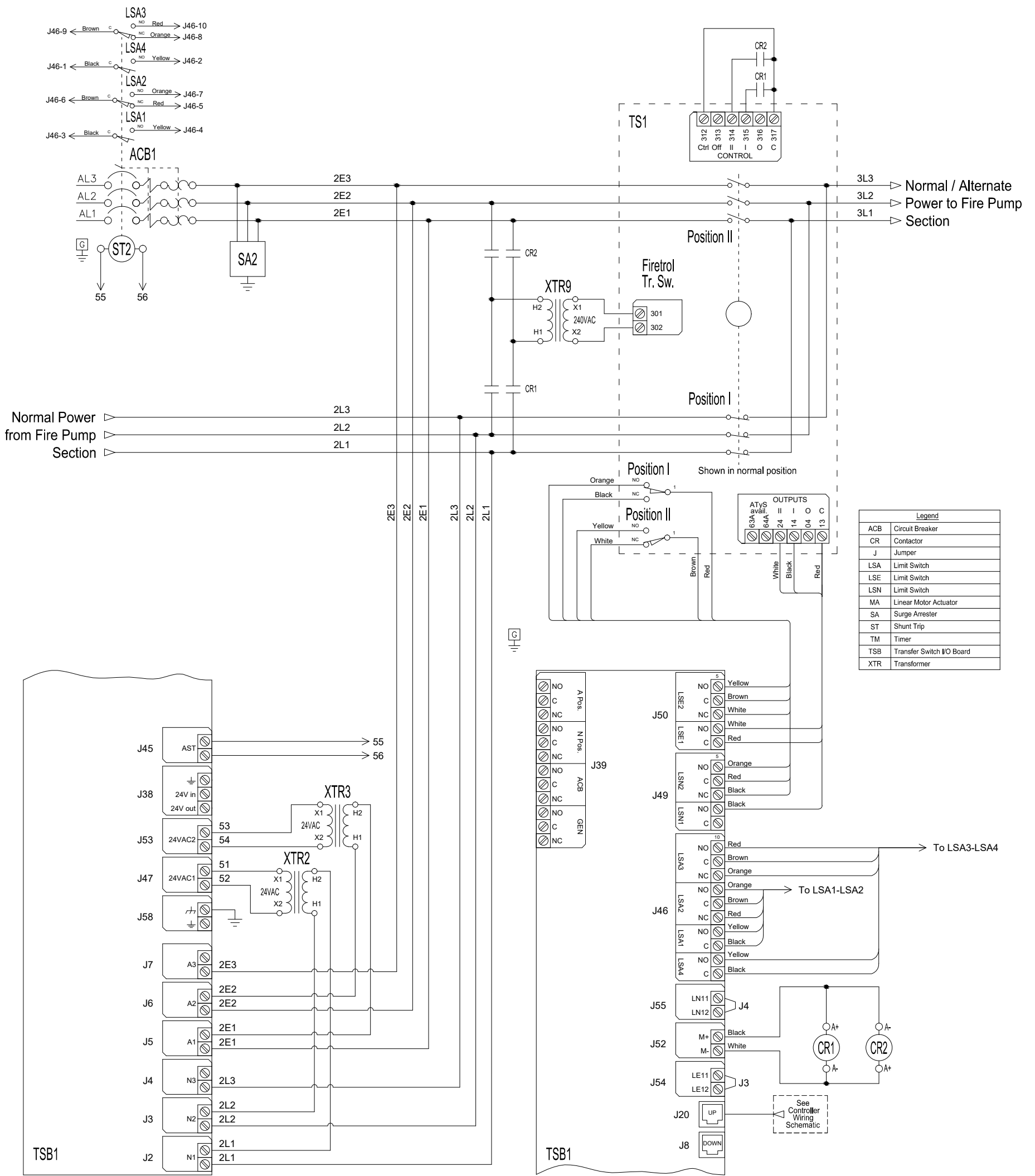


Power Transfer Switch For Use With MARK^{III} Limited Service Electric Fire Pump Controllers



Drawing for information only.
Manufacturer reserves the right to modify this drawing without notice.
Contact manufacturer for "As Built" drawing.

	SIZE B	BY	DATE	<p>© Firetrol, Inc. Not for construction. Subject to change without notice.</p>	REVISION DESCRIPTION	FTA976	REV	ECN NO	BY	APP	DATE	
	DRAWN BY	JMW	12/10/19		WIRING SCHEMATIC	FTA976	DRAWING NUMBER		WS976-63			
	FINAL APPROVAL	CIR	12/10/19		LIMITED SERVICE CONTROLLER POWER TRANSFER SWITCH FOR GEN-SET AND SECOND UTILITY POWER SOURCE, 380-600V, 3 PHASE	CDL	DWG REV	ECN NO	SHEET 1 OF 1			

All rights reserved. The drawing and the information contained or depicted herein are the sole property of Firetrol, Inc. Copies are communicated to the recipient in strict confidence and may not be retransmitted, published, reproduced, copied or used in any manner, including as the basis for the manufacture or sale of any products, without the express prior written consent of Firetrol, Inc.