



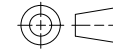
© Firetrol, Inc. Not for construction.  
Subject to change without notice.

BY		DD/MM/YY
DRAWN BY	FL	08/12/21
FINAL APPROVAL	KZ	09/12/21

## UL LISTED DISCONNECTING MEANS FOR ELECTRIC FIRE PUMP APPLICATIONS

**MODEL: FTA990**

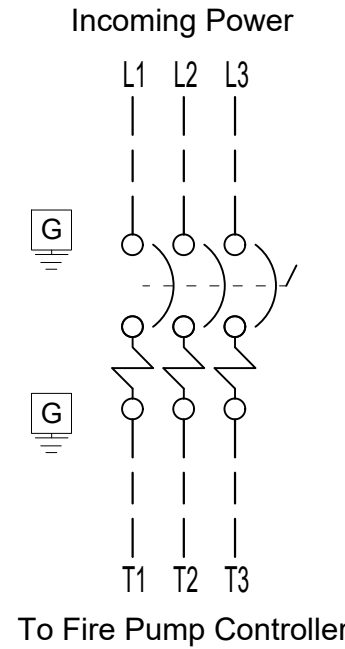
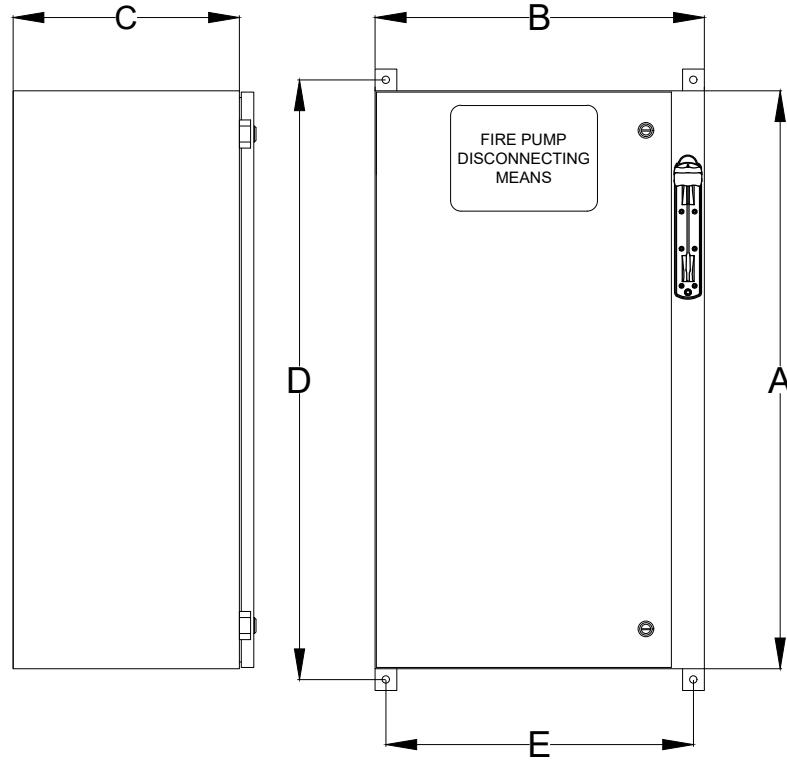
BUILT TO THE LATEST EDITION OF THE NFPA20 & NFPA70



THIRD ANGLE  
PROJECTION

DRAWING NUMBER  
**WS990-02**  
DWG REV. 0  
SHEET 1 OF 1

### Dimensions, Field Connections & Wiring Information



#### Notes:

- NEMA 2 Assembly
- Paint : Textured Red RAL 3002.
- All Dimensions are in Inches.
- Use Watertight Conduit and Connector Only.
- Protect Equipment Against Drilling Chips.

Terminals (L1,L2,L3,T1,T2,T3)

Maximum Motor Horsepower								Wire (Lug) Size (Copper Only)	Torque	Ground (Lug) Size (Copper Only)	Dimensions A x B x C x D x E	Bending Space
200V	208V	220V	230V	240V	380-416V	440-480V	575-600V					
5-20HP	5-20HP	5-20HP	5-20HP	5-20HP	5-30HP	5-40HP	5-60HP	10-3/0 AWG	5-14 Nm	6 AWG	22 x 12 x 11 x 23½ x 10½	7"
25-30HP	25-30HP	25-30HP	25-30HP	25-30HP	50-60HP	50-75HP	75HP	4-4/0 AWG	26 Nm	4 AWG	26 x 14 x 11 x 27½ x 12½	8"
40-75HP	40-75HP	40-100HP	40-100HP	40-100HP	75-150HP	100-200HP	100-250HP	2x(2/0 AWG-250 MCM)	50 Nm	4 AWG	30 x 16 x 11 x 31½ x 14½	8"
100-150HP	100-150HP	125-200HP	125-200HP	125-200HP	200-350HP	250-400HP	300-500HP	3x(3/0 AWG-500 MCM)	50 Nm	3/0 AWG	42 x 18 x 12½ x 43½ x 16½	12"
200HP	200HP	250-400HP	250-400HP	250-400HP	400-500HP	450-500HP	-	TBD Consult Factory	TBD Consult Factory	TBD Consult Factory	TBD Consult Factory	TBD Consult Factory

Drawing for information only.  
Manufacturer reserves the right to modify this drawing without notice.  
Contact manufacturer for "As Built" drawing.